



INSTALLATION INSTRUCTIONS

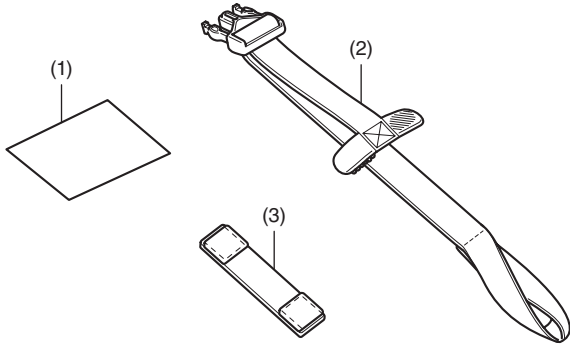
Accessory
SEAT BAG ATTACHMENT
 P/N 08L70-MKP-T00

Application
CB500FA
CBR500RA

Publication No.
MII
 Issue Date
February 2019

Honda Dealer: Please give a copy of these instructions to your customer.

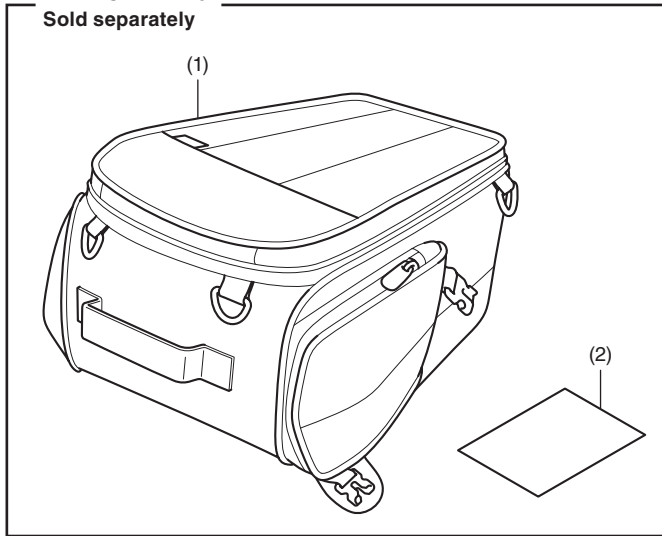
PARTS LIST



No.	Description	Qty
(1)	Installation Instructions URL	1
(2)	Seat bag strap	4
(3)	Protection belt	2

REAR SEAT BAG

Sold separately



No.	Description	Qty
(1)	Rear seat bag	1
(2)	Installation Instructions URL	1

MAXIMUM LOADING CAPACITY

- The weight of the cargo must not exceed the following maximum loading capacity:

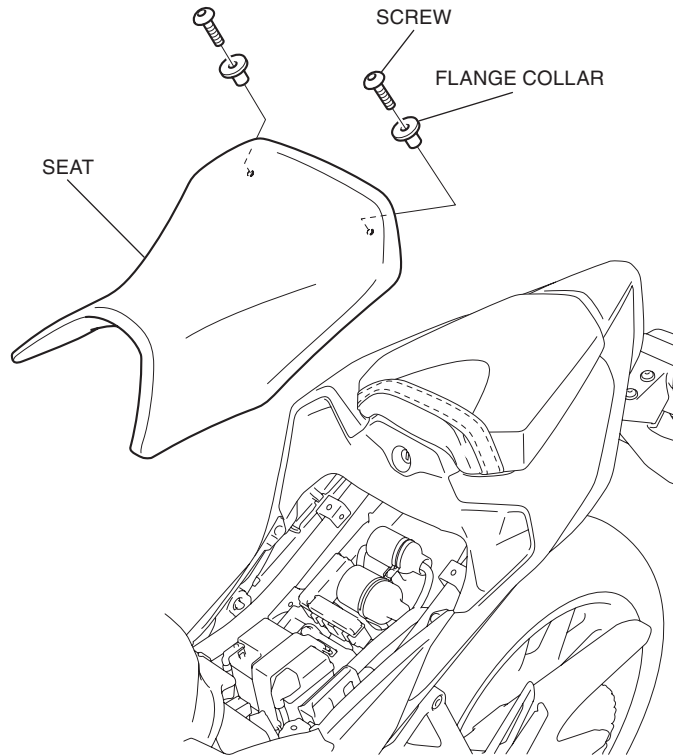
Maximum Loading Capacity	
Rear seat bag	8.8 lb (4.0 kg)

INSTALLATION

▲ CAUTION

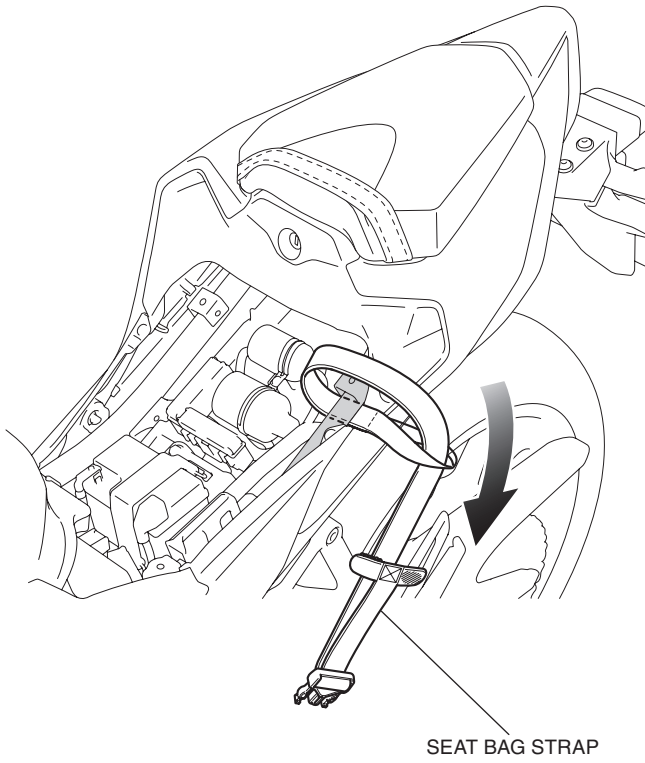
- To prevent burns, allow the engine, exhaust system, radiator, etc., to cool before installing the accessory.

- Remove the seat as shown.

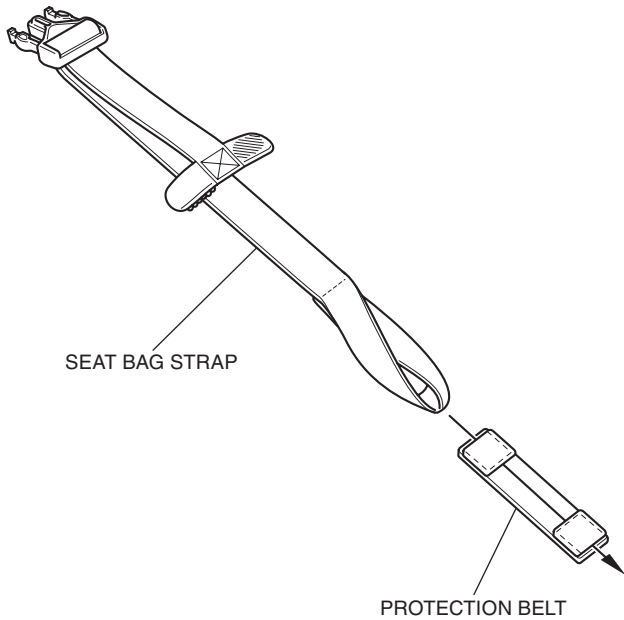


2. Set the seat bag strap as shown.
- Repeat on the right side.

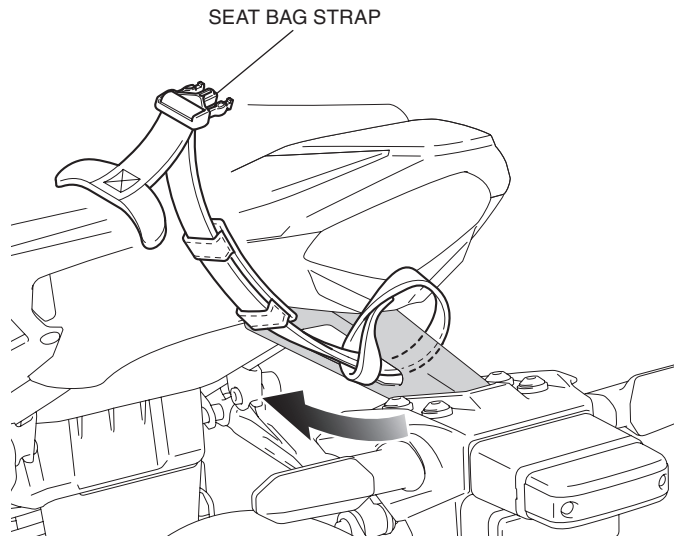
<Left side>



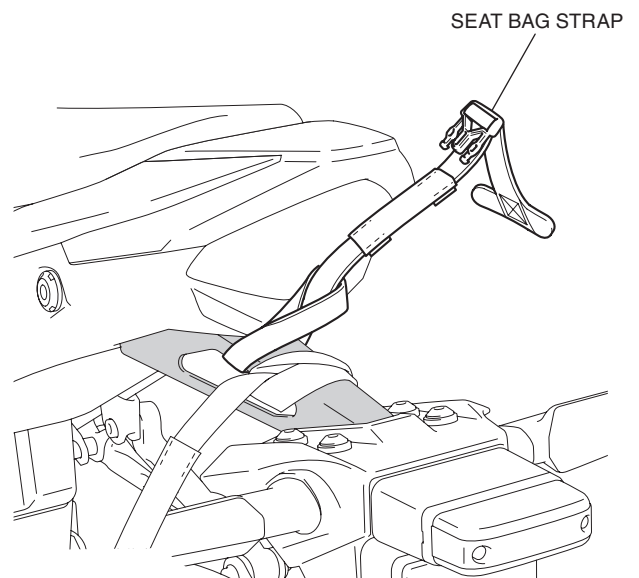
3. Pass the protection belt as shown.



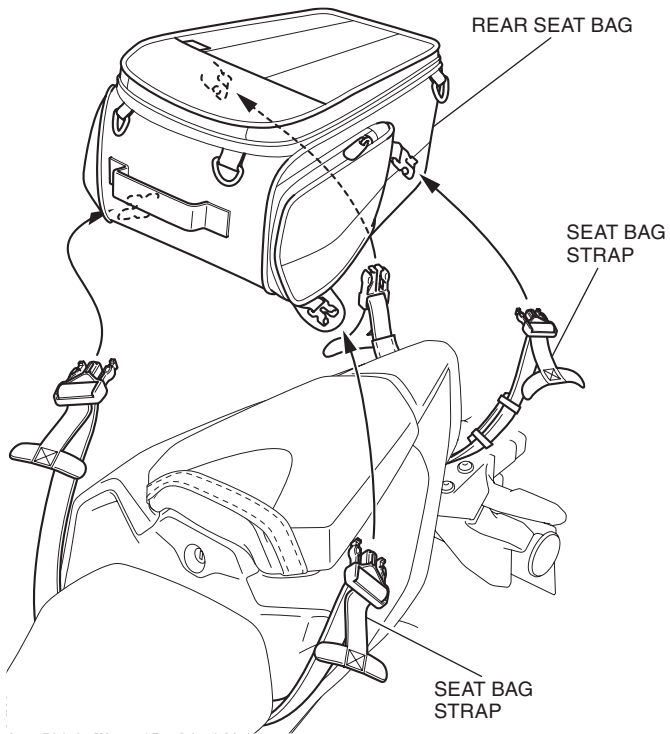
4. Install the assembled seat bag strap as shown.
- <Rear side>



5. Install the assembled seat bag strap as shown.

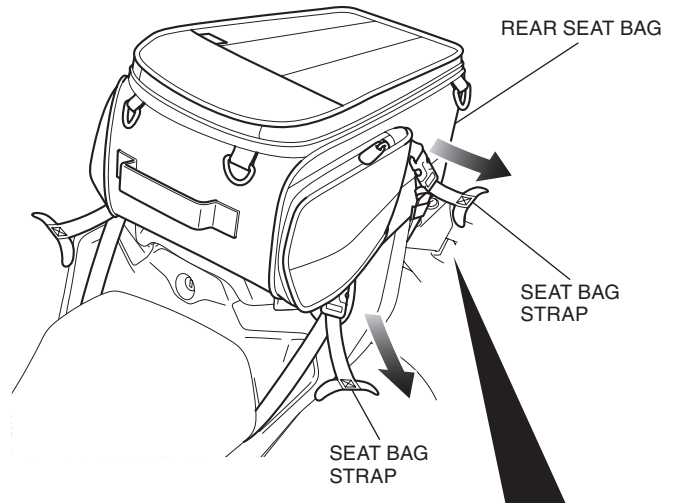


6. Install the seat in the reverse order of removal.
7. Install the rear seat bag as shown.

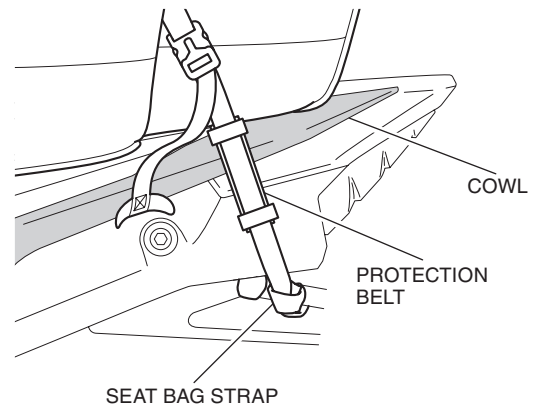


8. Tighten the straps while adjusting the balance between the right and left sides of the rear seat bag as shown.

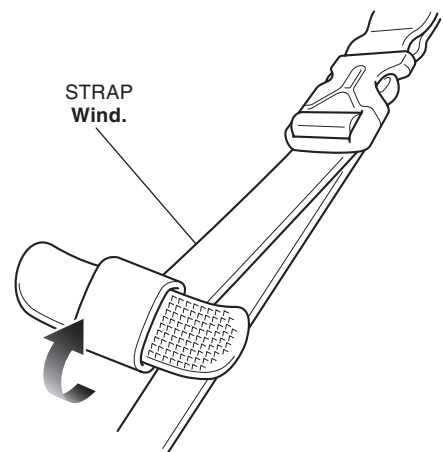
- Repeat on the right side.
- Secure well by pulling the straps tight.



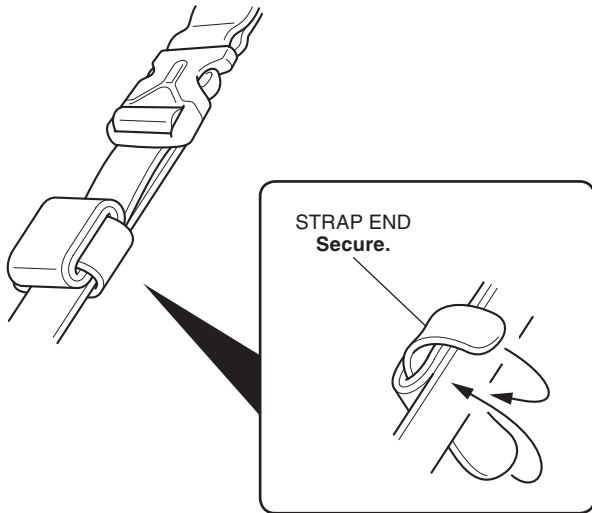
Attach the protection belt at a position that touching the cowl as shown.



9. Wind the strap as shown.



10. Secure the strap end as shown.



11. Secure the other straps in the same manner.

12. Make sure that the rear seat bag does not protrude to the rear of the rear cowl as shown.

- **If the rear seat bag protrudes, adjust the tensions of front and rear seat bag strap.**

